



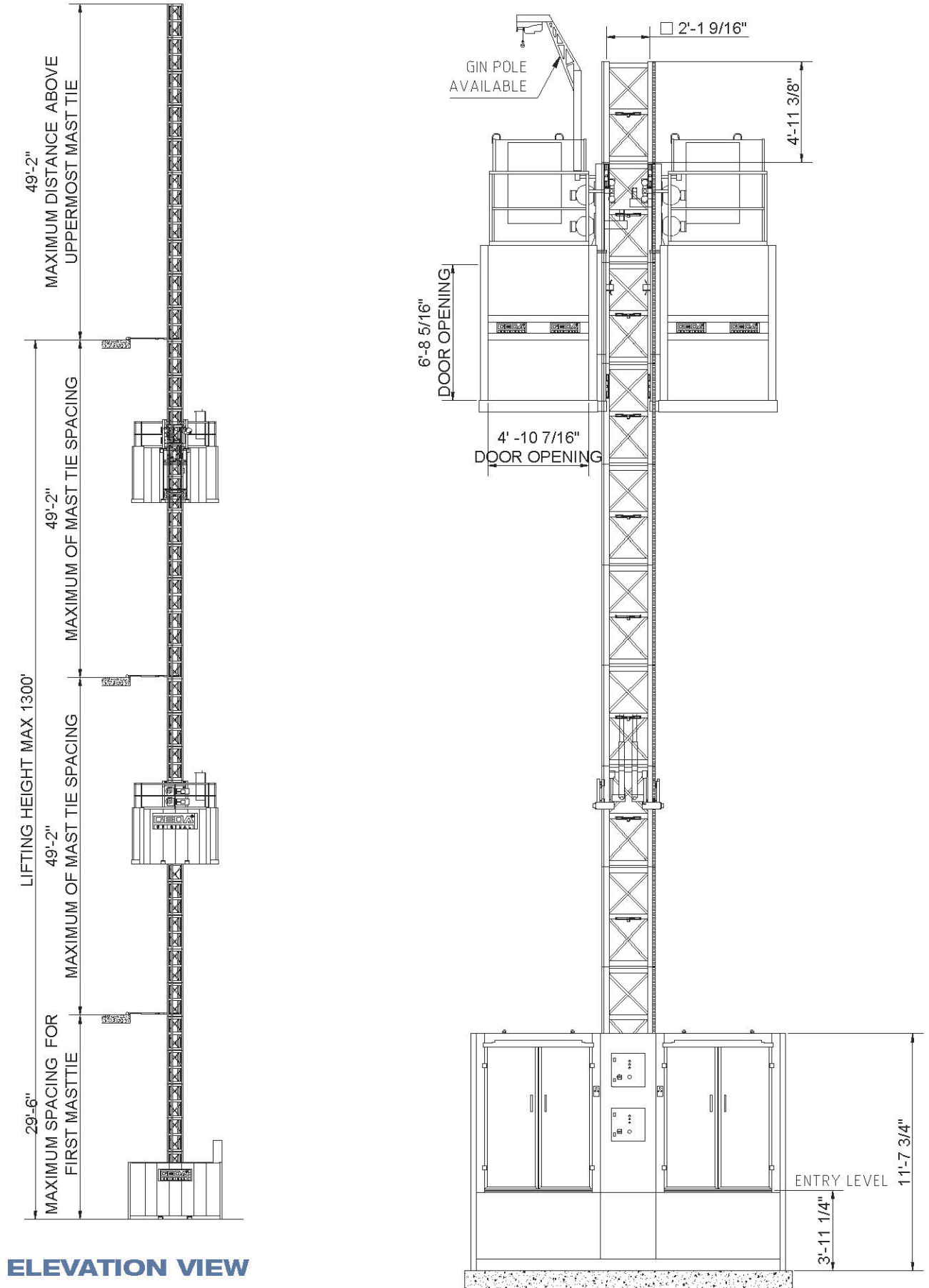
**GEDA USA, LLC**

1151 Butler Rd. • League City, TX 77573

Phone: 713-621-7272 • Fax: 713-621-7279 • Toll-Free: 1-866-973-4332

[www.gedausa.com](http://www.gedausa.com) • [sales@gedausa.com](mailto:sales@gedausa.com)





LANDING DOOR:  
- 5'-1/4" (MIN DOOR  
OPENING WIDTH)  
- 6'-11" (MIN DOOR  
OPENING HEIGHT)

LANDING DOOR, THRESHOLD  
AND HOISTWAY PROTECTIONS  
BY CONTRACTOR

LANDING SILL  
IF REQUIRED  
BY CONTRACTOR

2 3/16"  
MAX. GAP PER  
ANSI 10.4

MAST SECTION

MAST TIE

CABLE TROLLEY

CABLE GUIDE

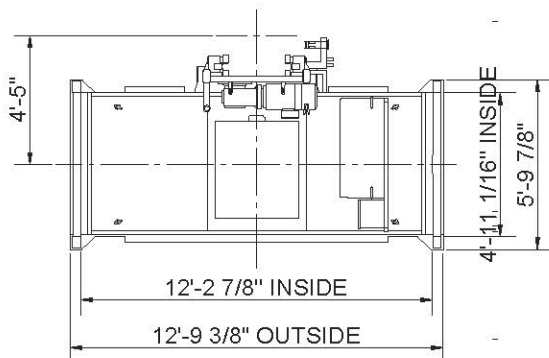
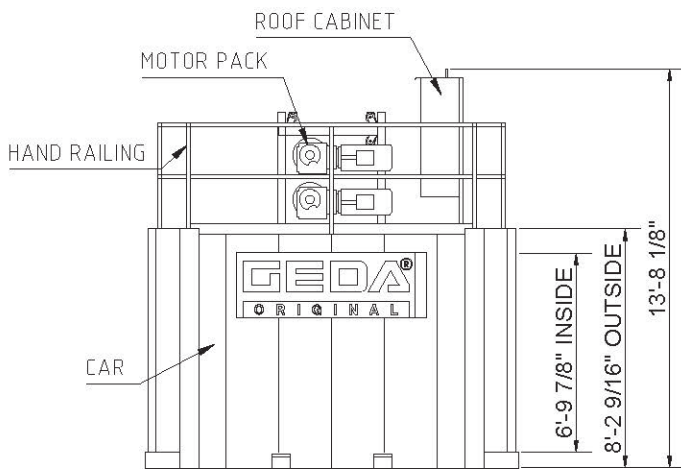
BASE ENCLOSURE

STRUCTURE

ENTRY LEVEL

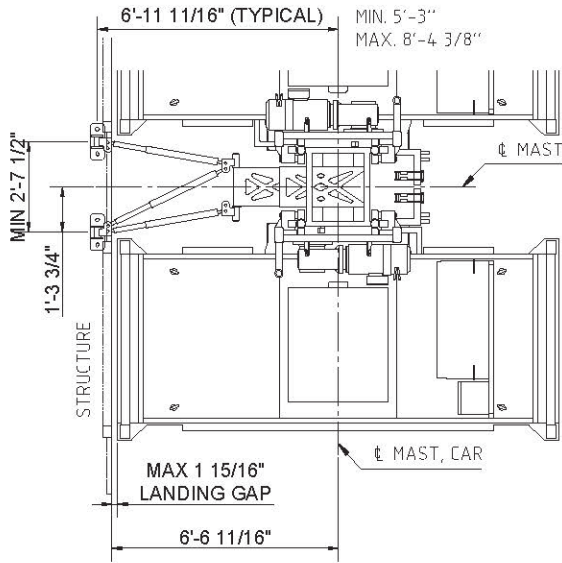
ENTRY RAMP/DOCK  
BY CONTRACTOR  
PER ANSI 10.4

## DIMENSIONS CAR



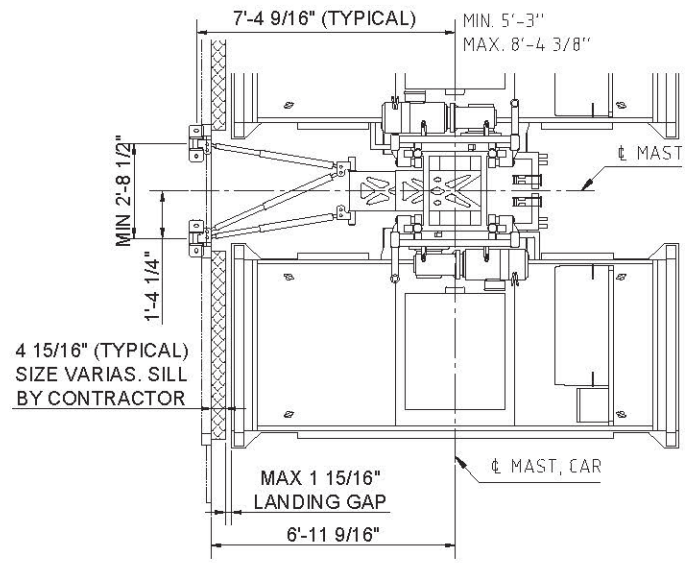
8'-4 7/8"

## TIE IN DETAILS - SLAB MOUNTED

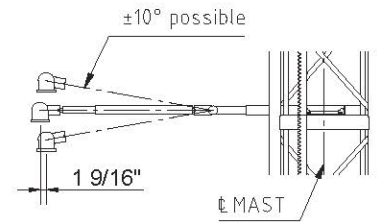
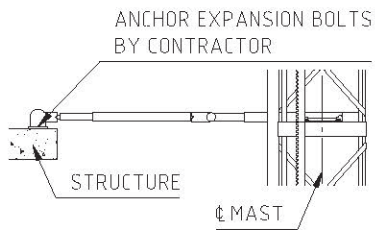


**ELEVATION VIEW**

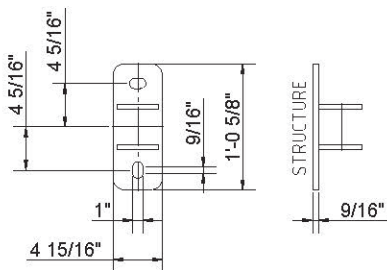
## TIE IN DETAILS - SLAB MOUNTED WITH LANDING SILL



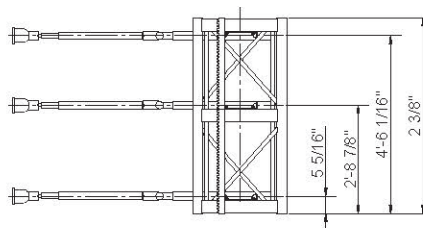
**INCLINATION DETAILS**



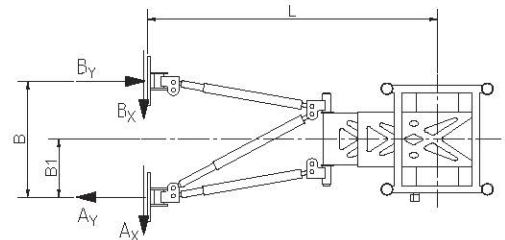
## TIE IN PLATE



## ATTACHMENT POINTS



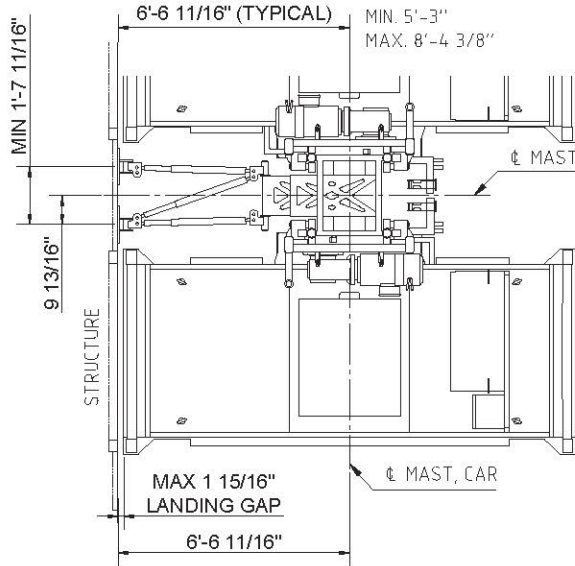
## TIE IN LOADS



PLEASE SEE GEDA INSTALLATION MANUAL FOR TIE IN LOADS

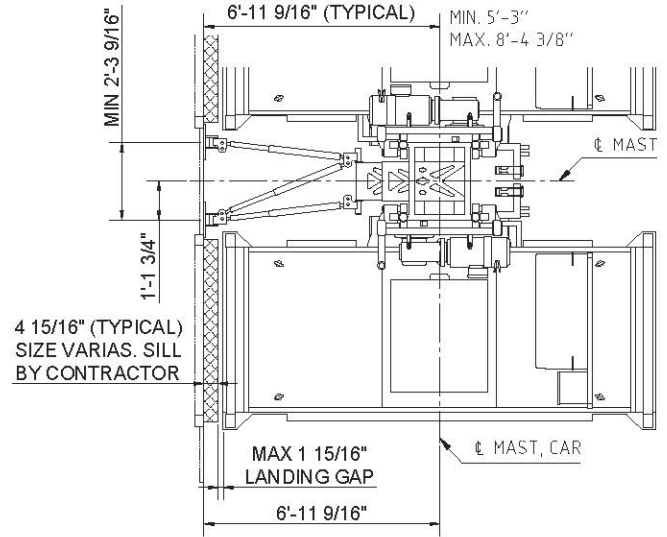
ALTERNATE MAST TIES OR ANCHORING DISTANCES AVAILABLE. CONTACT GEDA FOR INFORMATION.

## TIE IN DETAILS - WALL MOUNTED

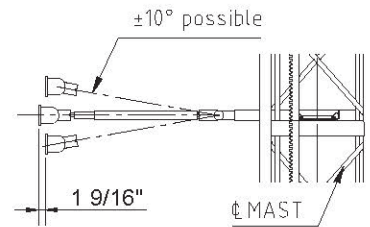
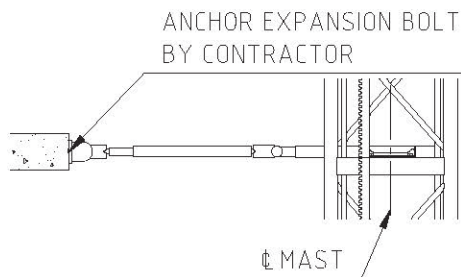


**ELEVATION VIEW**

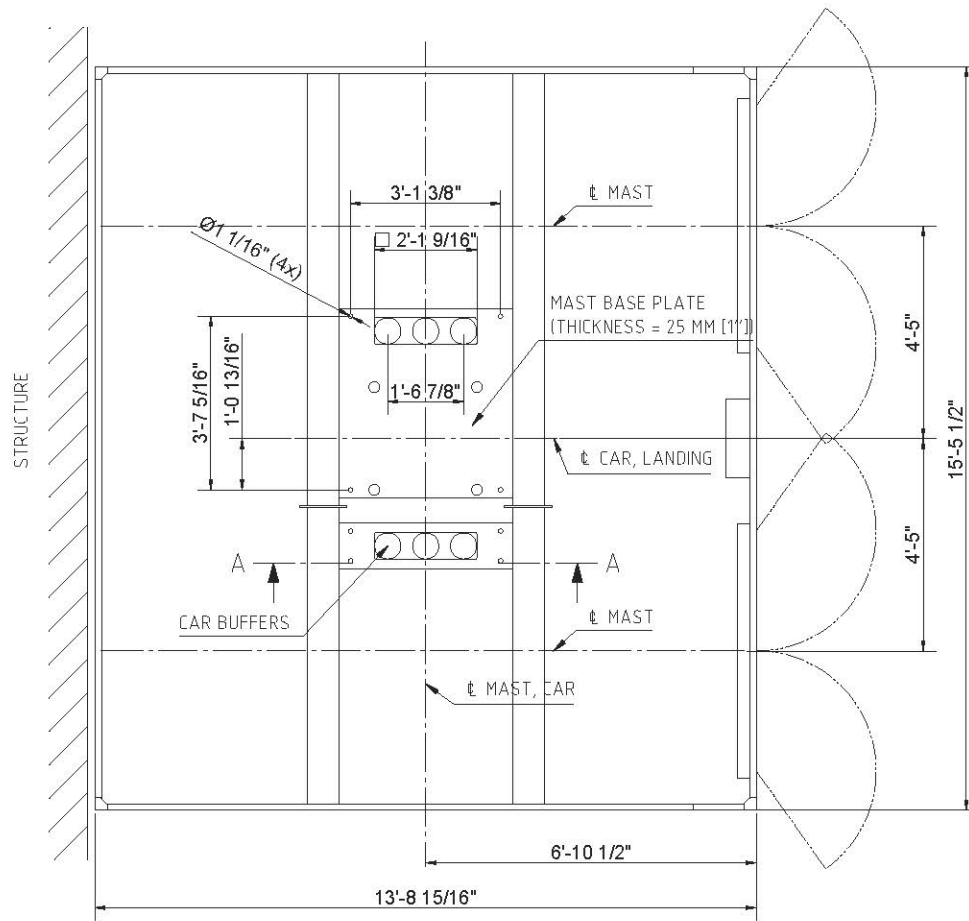
## TIE IN DETAILS - WALL MOUNTED WITH LANDING SILL



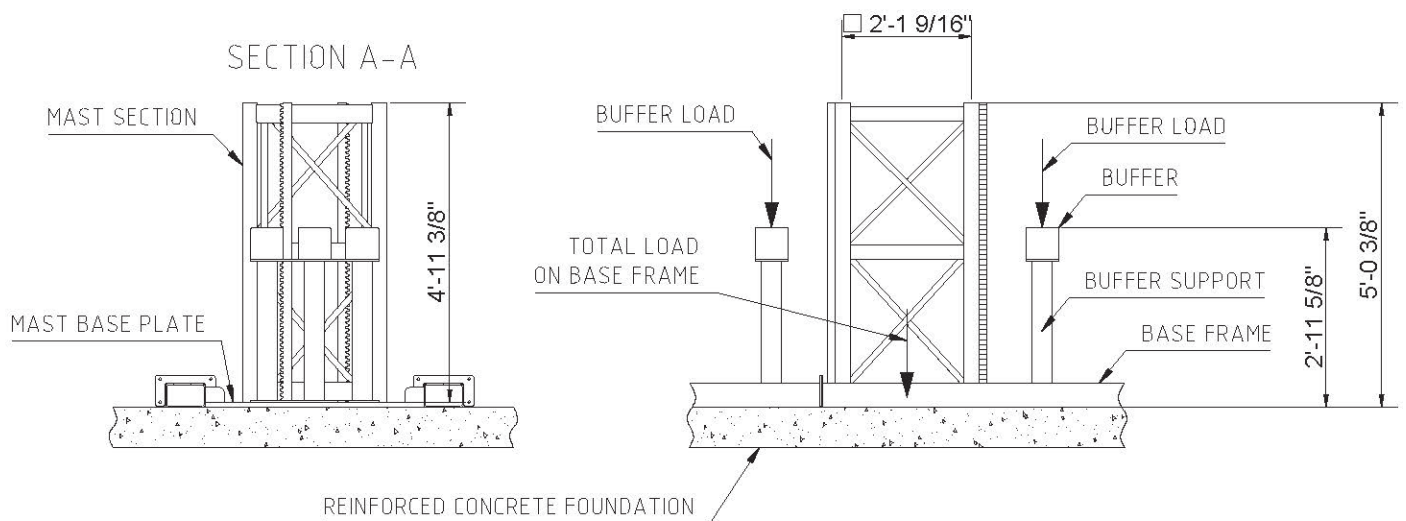
**INCLINATION DETAILS**



## PLAN VIEW BASE ENCLOSURE



## MAST BASE

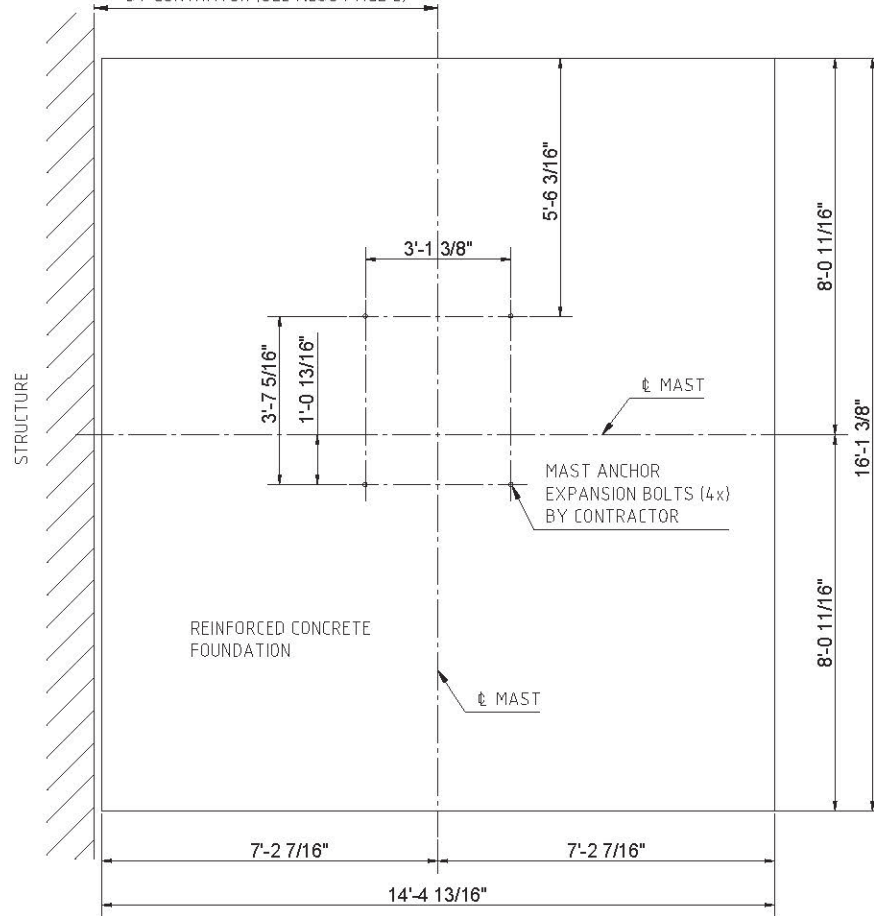


PLEASE SEE GEDA INSTALLATION MANUAL FOR TOTAL LOAD ON BASE FRAME AND BUFFER LOAD.

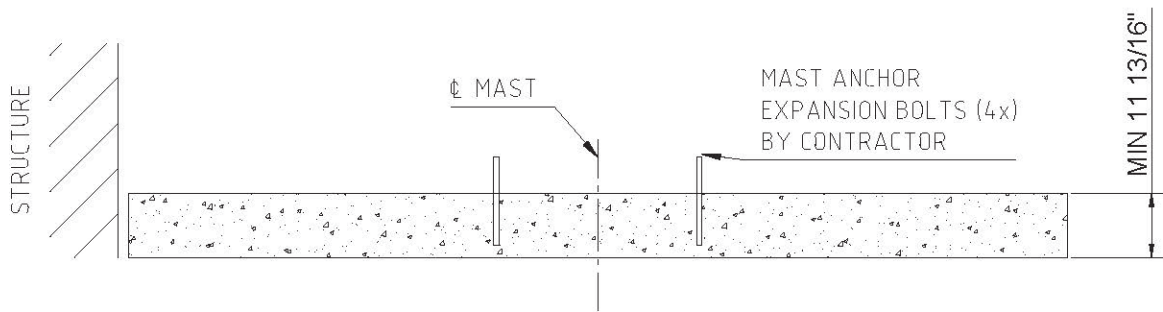


## FOUNDATION PLAN VIEW

NOTE! DISTANCE FROM BUILDING FACE TO CENTER OF MAST DEPENDS ON TYPE OF MAST TIE INSTALLED AND HOW THE LANDING SILL IS REALIZED BY CONTRATOR (SEE ALSO PAGE 2)



## FOUNDATION SIDE VIEW



## SPECIFICATIONS

### MACHINE TECHNICAL DATA SPECS

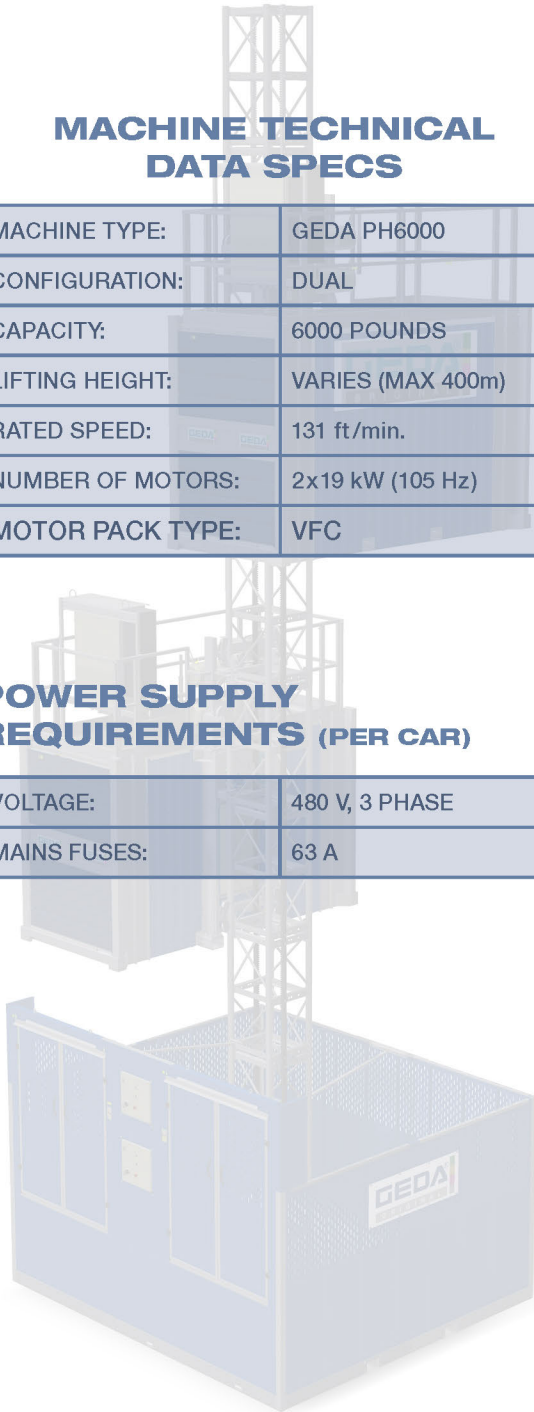
MACHINE TYPE:	GEDA PH6000
CONFIGURATION:	DUAL
CAPACITY:	6000 POUNDS
LIFTING HEIGHT:	VARIABLES (MAX 400m)
RATED SPEED:	131 ft/min.
NUMBER OF MOTORS:	2x19 kW (105 Hz)
MOTOR PACK TYPE:	VFC

### COMPONENTS WEIGHT

BASE ENCLOSURE:	3980 LBS
CAR:	3980 LBS
MOTORPACK:	1650 LBS
ROOF CABINET:	575 LBS
MAST SECTION DUAL:	390 LBS
MAST TIE:	230 LBS
CABLE GUIDE	12.5 LBS
CABLE TROLLEY:	165 LBS

### POWER SUPPLY REQUIREMENTS (PER CAR)

VOLTAGE:	480 V, 3 PHASE	FREQUENCY:	60 HZ
MAINS FUSES:	63 A	POWER CONSUMPTION	55 kVA



Machinery Directive 2006/42/EG  
DIN EN ISO 9001:2008

